



OTHER PRODUCTS

Dropper bottles

Purpose: used as a direct package for medicines in the form of liquids

Materials:

1. Bottle 5 ml, 10 ml and 15 ml and dropper - LDPE
2. Cap Ø14 mm - HDPE

Packing type 1:

cartons containing

- | | |
|--------------|----------------|
| Bottle 5 ml | – 1 900 pieces |
| Bottle 10 ml | – 1 600 pieces |
| Bottle 15 ml | – 1 800 pieces |
| Dropper | – 8 000 pieces |
| Cap Ø14 mm | – 2 400 pieces |

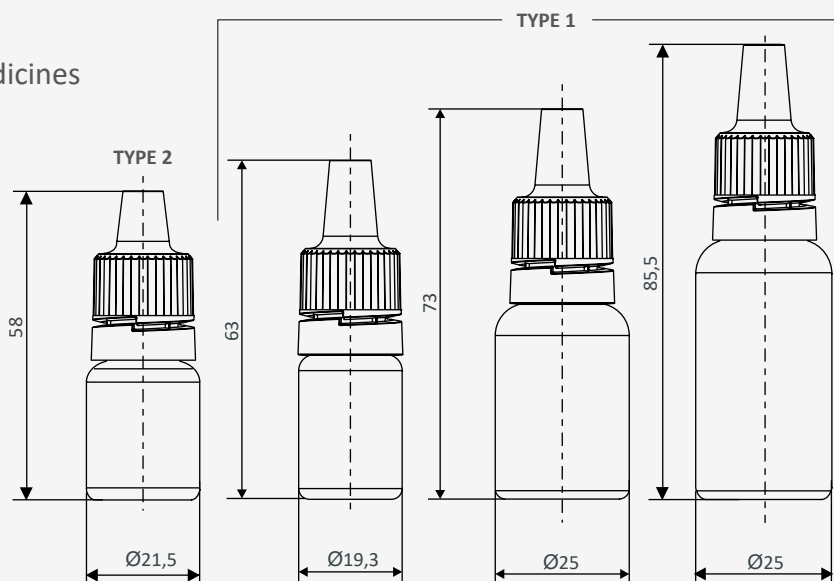
Packing type 2:

cartons containing

- | | |
|------------|-----------------|
| Bottle 5ml | – 3 400 pieces |
| Dropper | – 12 000 pieces |
| Cap Ø14 mm | – 3 000 pieces |

Products can be manufactured according to customer requirements

- produced in various colours



January 2021