



Measuring spoon for drugs and diet supplements



OTHER PRODUCTS



volume 5 ml

Purpose:

to measure and administer medicinal products and diet supplements

Scale:

in millilitres, graduations at 1.25 ml, 2.5 ml, 5 ml

Material:

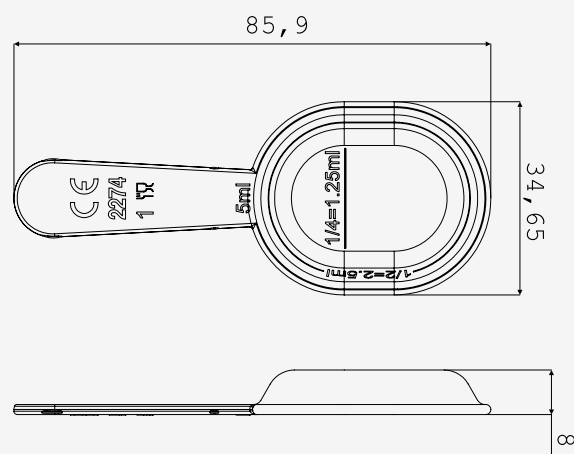
PS

Packing:

cartons containing 3 300 pieces

Products can be manufactured according to customer requirements

- produced in various colours



Contact data:

Polfa Lublin S.A.
ul. Wojciechowska 42
20-704 Lublin
Poland

Sales & Marketing Department

tel. +48 81 524 66 13
+48 81 524 66 34
+48 81 524 66 37
e-mail: marketing@polfa.pl

www.polfa.pl